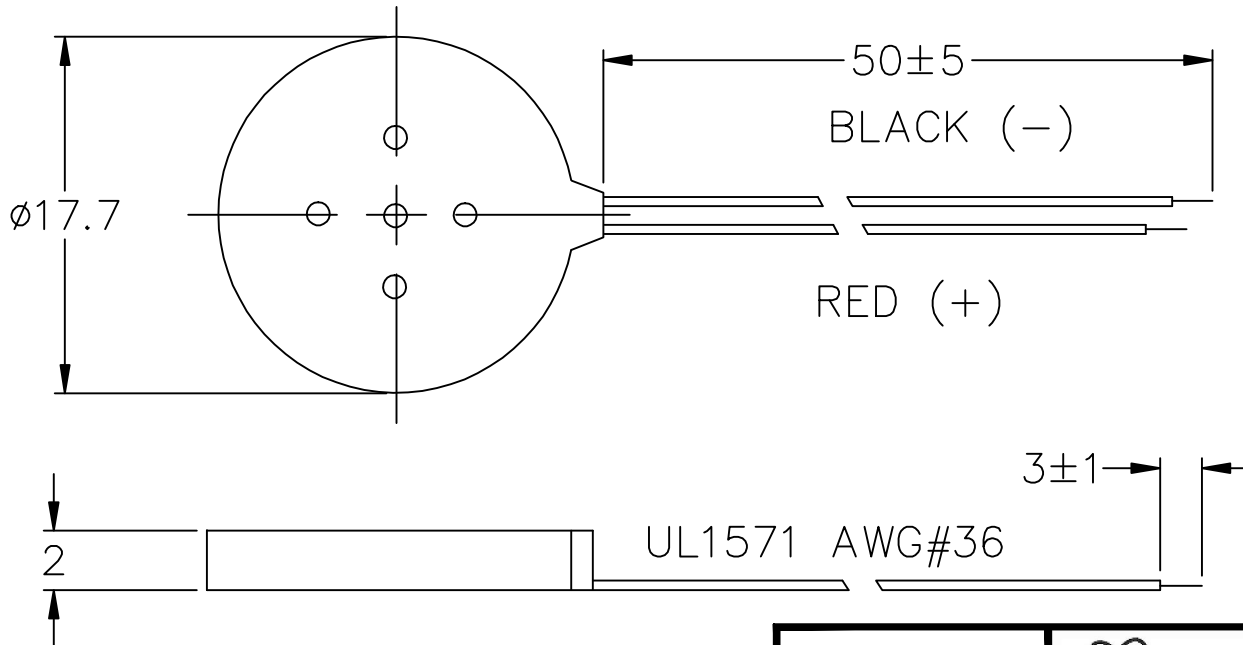


THIS DOCUMENT CONTAINS DATA PROPRIETARY TO PROJECTS UNLIMITED, INC. ANY USE OR REPRODUCTION, IN ANY FORM, WITHOUT PRIOR WRITTEN PERMISSION OF PROJECTS UNLIMITED, INC. IS PROHIBITED.
 ©2005, Projects Unlimited Inc.

SPECIFICATIONS


PARAMETERS	VALUES	UNITS
RATED VOLTAGE	1	Vp-p
OPERATING VOLTAGE RANGE	1 ~ 10	Vp-p
RATED CURRENT (MAX)	3	mA
CAPACITANCE	80,000±30%	pF
MINIMUM SPL @ 1 CM	103	dBA
RESONANT FREQUENCY	2,000±500	Hz
OPERATING TEMPERATURE	-20 ~ +60	°C
STORAGE TEMPERATURE	-30 ~ +70	°C
HOUSING MATERIAL	ABS	-
TERMINAL MATERIAL	LEAD WIRE	-
WEIGHT	1.3	grams

REVISIONS			
LTR	DESCRIPTION	DATE	APPROVED
-	RELEASED FROM ENGINEERING	10/26/06	
A	REVISED RESONANT FREQUENCY	6/16/08	B.R.



NOTES:

1. ALL DIMENSIONS ARE IN MILLIMETERS.
2. SPECIFICATION SUBJECT TO CHANGE OR WITHDRAWAL WITHOUT NOTICE.
3. THIS PART IS RoHS 2002/95/EC COMPLIANT.

UNLESS OTHERWISE SPECIFIED: DIMENSIONS ARE IN MILLIMETERS, TOLERANCES ARE ± 0.5 AND ANGLES ARE $\pm 3^\circ$.		 A Division of Projects Unlimited	6300 Sand Lake Road Dayton, Ohio 45414	
APPROVALS	DATE			RECEIVER
DRAWN	J.D.	10/06	SIZE	DRAWING NO. AT-1803-T-LW50-R
CHECKED	R.W.	10/06	A	
APPROVED	B.R.	10/06	SCALE: N.T.S.	SHEET 1 OF 1

FILE NAME
AT-1803-T-LW50-R.DWG